

Current Transformers

Features and Benefits



Other Features

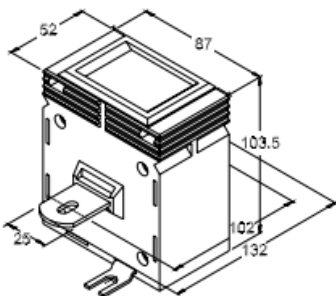
- Integral terminal cover.
- Combined M4 posi/slot screw terminal.
- Sealable terminal cover.
- Wide range of apertures and case sizes available.
- Long lifetime.

Applications.

- Switchgear
- Distribution systems
- Generator sets
- Control panels



Dimensions



AS Series Current Transformers

The AS series of moulded case current transformers offers a wide range of current ratings, apertures and case sizes to suit every application. The range benefits include ratio ratings from 10A to 5000A, accuracy up to class 0.5. The range is available in both 5A and 1A versions, with an integral terminal cover for safety and multiple mounting options. **For 1A version please contact PMK sales office for price & availability.**

Specifications

System Voltage:	720V maximum
Secondary current	5A or 1A (Contact PMK Sales)
Test Voltage:	3KV for 1 minute
System Frequency:	50/60Hz
Short circuit thermal current(Ith)	60 x rated primary current for 1 second
Overload Withstand:	1.2 x rated primary current
Dynamic current (Idyn):	2.5 x Ith
Operating temperature:	- 20 to +50°C
Accuracy:	0.5% (3% for <=30A)
Thermal Class:	Class B (130°C) for winding core
Enclosure:	Flame retardent grade Classified UL 94V-0.
Mounting hardware:	Plug-in metal feet for wall or base mounting Busbar and Din rail mounting(included)
Compliant with:	IEC/EN 60044-1
Rated security coefficient:	Fs<5

AS0 Range

Case Size: 87mm wide x 52mm deep x 103.5mm high.
3.4" wide x 2" deep x 4.1" high

Stud Size: M8

Weight: 0.5kg

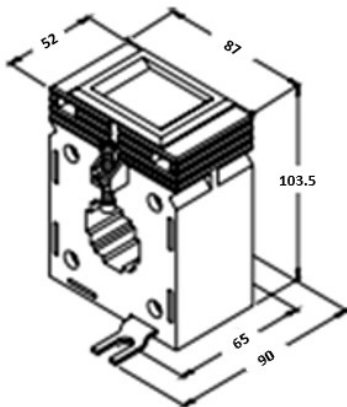
Part Number	Ratio	Burden VA	Class	Price (Baht)
AS0-5/5A	5/5A	5	0.5	TBA
AS0-10/5A	10/5A	5	0.5	TBA
AS0-15/5A	15/5A	5	0.5	TBA
AS0-20/5A	20/5A	5	0.5	TBA
AS0-30/5A	30/5A	5	0.5	2,200

Current Transformers

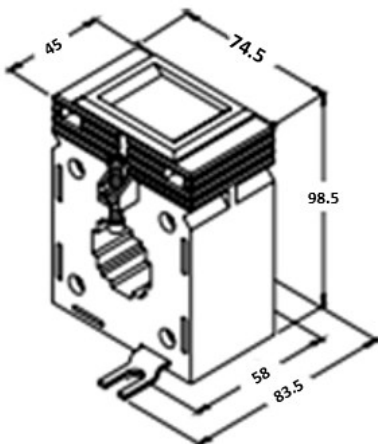
Features and Benefits



Dimensions



Dimensions



AS1A Range

Case Size: 87mm wide x 52mm deep x 103.5mm high.

3.4" wide x 2" deep x 4.1" high

Aperture: 31.5 x 11mm, 26 x 21.5mm and 28mm diameter

1.2" x 0.4", 1" x 0.8" and 1.1" diameter

Weight: 0.5kg

Part Number	Ratio	Burden VA	Class	Price (Baht)
AS1A-30/5A	30/5A	3	3	1,600
AS1A-50/5A	50/5A	2.5	0.5	1,600
AS1A-60/5A	60/5A	2.5	0.5	1,600
AS1A-75/5A	75/5A	3.8	0.5	TBA
AS1A-80/5A	80/5A	4.0	0.5	TBA
AS1A-100/5A	100/5A	3.8	0.5	TBA
AS1A-150/5A	150/5A	3.75	0.5	TBA
AS1A-200/5A	200/5A	3.8	0.5	TBA
AS1A-250/5A	250/5A	5.0	0.5	TBA
AS1A-300/5A	300/5A	5.0	0.5	TBA

AS1B Range

Case Size: 74.5mm wide x 45mm deep x 98.5mm high.

3.4" wide x 1.8" deep x 3.9" high

Aperture: 31.5 x 11mm, 26 x 21.5mm and 28mm diameter

1.2" x 0.4", 1" x 0.8" and 1.1" diameter

Weight: 0.65kg

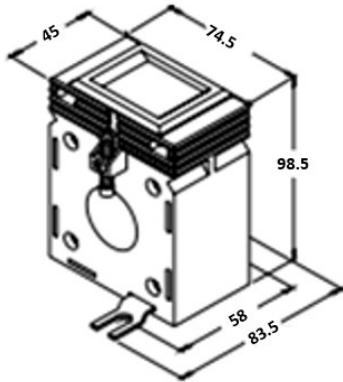
Part Number	Ratio	Burden VA	Class	Price (Baht)
AS1B-60/5A	60/5A	1.5	0.5	TBA
AS1B-75/5A	75/5A	2.5	0.5	TBA
AS1B-80/5A	80/5A	3	0.5	TBA
AS1B-100/5A	100/5A	3.75	0.5	1,500
AS1B-150/5A	150/5A	3.75	0.5	1,550
AS1B-200/5A	200/5A	3.75	0.5	1,600
AS1B-250/5A	250/5A	5.0	0.5	1,600
AS1B-300/5A	300/5A	5.0	0.5	1,650

Current Transformers

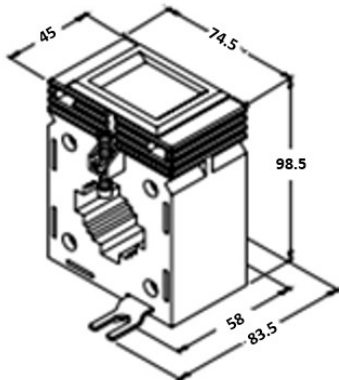
Features and Benefits



Dimensions



Dimensions



AS1C Range

Case Size: 74.5mm wide x 45mm deep x 98.5mm high.

3.4" wide x 1.8" deep x 3.9" high

Aperture: 30mm diameter

1.2" diameter

Weight: 0.65kg

Part Number	Ratio	Burden VA	Class	Price (Baht)
AS1C-50/5A	50/5A	1.5	1	TBA
AS1C-60/5A	60/5A	1.5	1	TBA
AS1C-75/5A	75/5A	3	1	TBA
AS1C-80/5A	80/5A	2.5	1	TBA
AS1C-100/5A	100/5A	3.75	1	TBA
AS1C-150/5A	150/5A	3.75	1	TBA
AS1C-200/5A	200/5A	3	1	TBA
AS1C-250/5A	250/5A	5.0	1	TBA
AS1C-300/5A	300/5A	5.0	1	TBA

AS2 Range

Case Size: 74.5mm wide x 45mm deep x 98.5mm high.

2.9" wide x 1.8" deep x 3.9" high

Aperture: 41.5 x 11mm, 31.5 x 21mm, 26.5 x 26.5mm &

33mm diameter

1.6" x 0.4", 1.2" x 0.8", 1" x 1" and 1.3" diameter

Weight: 0.65kg

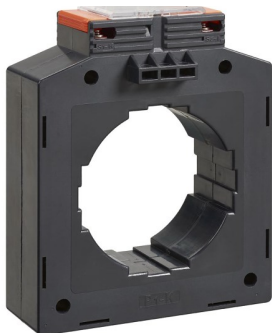
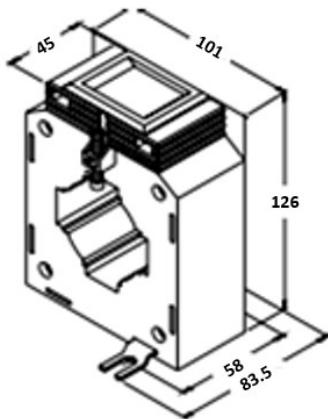
Part Number	Ratio	Burden VA	Class	Price (Baht)
AS2-100/5A	100/5A	2.5	0.5	TBA
AS2-150/5A	150/5A	5	0.5	TBA
AS2-200/5A	200/5A	5	0.5	TBA
AS2-250/5A	250/5A	5	0.5	TBA
AS2-300/5A	300/5A	5	0.5	TBA
AS2-400/5A	400/5A	5	0.5	1,700
AS2-500/5A	500/5A	5	0.5	1,700

Current Transformers

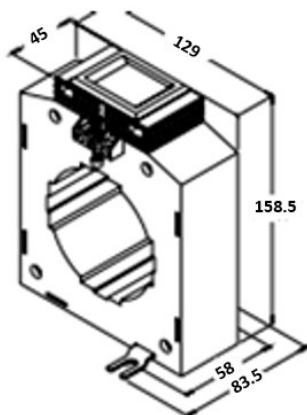
Features and Benefits



Dimensions



Dimensions



AS3 Range

Case Size: 101mm wide x 45mm deep x 126mm high.

3.9" wide x 1.8" deep x 4.9" high

Aperture: 61.5 x 21mm, 52 x 25mm & 52mm diameter

2.4" x 0.8", 2" x 0.9" and 2" diameter

Weight: 0.65kg

Part Number	Ratio	Burden VA	Class	Price (Baht)
AS3-200/5A	200/5A	3.8	0.5	TBA
AS3-250/5A	250/5A	5	0.5	TBA
AS3-300/5A	300/5A	5	0.5	TBA
AS3-400/5A	400/5A	5	0.5	TBA
AS3-500/5A	500/5A	5	0.5	TBA
AS3-600/5A	600/5A	10	0.5	2,000
AS3-750/5A	750/5A	10	0.5	TBA
AS3-800/5A	800/5A	10	0.5	2,200
AS3-1000/5A	1000/5A	10	0.5	TBA

AS4 Range

Case Size: 129mm wide x 45mm deep x 158.5mm high.

5.1" wide x 1.8" deep x 6.2" high

Aperture: 86 x 11mm, 82.5 x 32mm & 82mm diameter

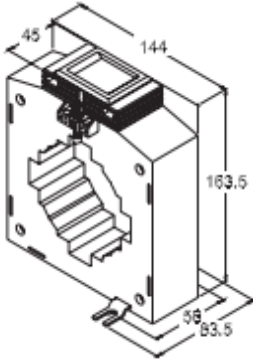
3.4" x 0.4", 3.2" x 1.3" and 3.2" diameter

Weight: 1kg

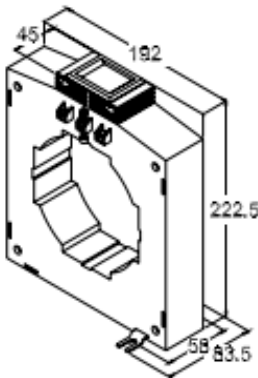
Part Number	Ratio	Burden VA	Class	Price (Baht)
AS4-750/5A	750/5A	10	1	TBA
AS4-800/5A	800/5A	10	1	TBA
AS4-1000/5A	1000/5A	10	1	TBA
AS4-1200/5A	1200/5A	10	1	TBA
AS4-1500/5A	1500/5A	10	1	TBA



Dimensions



Dimensions



AS5 Range

Case Size: 144mm wide x 45mm deep x 163.5mm high.

5.7" wide x 1.8" deep x 6.4" high

Aperture: 101 x 22mm, 81 x 45mm & 85.5mm diameter

4" x 0.9", 3.2" x 1.8" and 3.4" diameter

Weight: 1kg

Part Number	Ratio	Burden VA	Class	Price (Baht)
AS5-800/5A	800/5A	10	0.5	TBA
AS5-1000/5A	1000/5A	10	0.5	2,200
AS5-1200/5A	1200/5A	10	0.5	2,300
AS5-1500/5A	1500/5A	10	0.5	2,700
AS5-1600/5A	1600/5A	10	0.5	2,900
AS5-2000/5A	2000/5A	15	0.5	TBA
AS5-2500/5A	2500/5A	15	0.5	TBA

AS6 Range

Case Size: 192mm wide x 45mm deep x 222mm high.

7.6" wide x 1.8" deep x 8.8" high

Aperture: 130.5 x 11mm, 126 x 58mm & 126.5mm diameter

5.1" x 0.4", 4.9" x 2.3" and 5.0" diameter

Weight: 1.2kg

Part Number	Ratio	Burden VA	Class	Price (Baht)
AS6-1500/5A	1500/5A	10	0.5	TBA
AS6-1600/5A	1600/5A	10	0.5	TBA
AS6-2000/5A	2000/5A	15	0.5	3,250
AS6-2500/5A	2500/5A	15	0.5	3,500
AS6-3000/5A	3000/5A	15	0.5	4,000
AS6-4000/5A	4000/5A	20	0.5	4,800
AS6-5000/5A	5000/5A	20	0.5	5,500



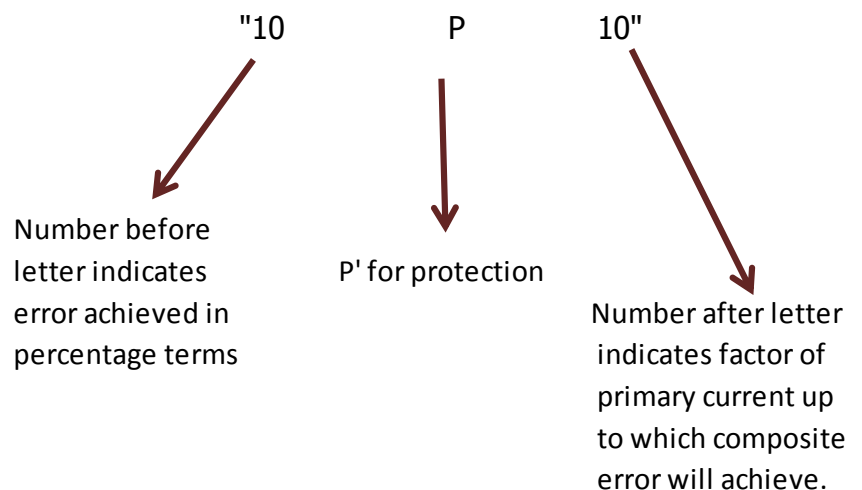
PR Series Protection CT Range

IEC60044-1/BS EN60044-1 commonly define protection current transformers in terms of composite error at an accuracy limit factor. In simple terms this means how accurate the current transformer will remain when the primary current flowing is many times higher than in normal conditions i.e. in a fault situation. The classification of protection current transformers follows the following simple formula:

General Specifications

Accuracy:	5P10 and 10P10
System Voltage:	720V maximum
Test Voltage:	3KV for 1 minute
System Frequency:	50/60Hz
Complies with:	IEC60044-1/BS EN60044-1
Operating temperature:	- 20 to +70°C
Secondary current:	5A (1A contact PMK sales for availability)
Insulation class:	BSEN60085 Class Y

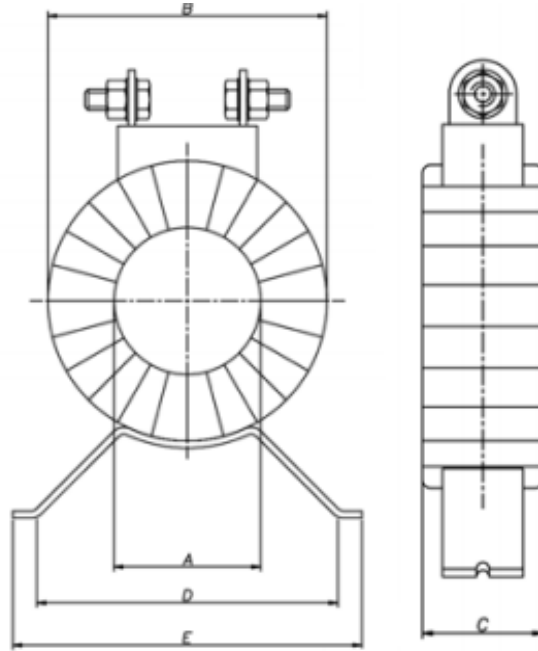
The classification of protection current transformers follows the following simple formula:



In addition the classification of protection current transformers indicates accuracy class: 5P - current transformer will have a ratio error of 1% and a phase error not exceeding 60 minutes. 10P- current transformer will have a ratio error of 3% (no level of phase error specified)

Current Transformers

Dimensions & Prices



1A current transformers dimensions may vary by up to 10%

Part Number	VA Burden	Ratio Range	A	B	C	D	Price (Baht)
PR-35-100/5A-2.5 (10P10)	2.5	100/5A	35	98	60	100	TBA
PR-35-100/5A-5 (10P10)	5	100/5A	35	98	90	100	TBA
PR-35-120/5A-2.5 (10P10)	2.5	120/5A	35	98	55	100	TBA
PR-35-120/5A-5 (10P10)	5	120/5A	35	98	85	100	TBA
PR-35-150/5A-2.5 (5P10 & 10P10)	2.5	150/5A	35	98	50	100	TBA
PR-35-150/5A-5 (5P10 & 10P10)	5	150/5A	35	98	70	100	TBA
PR-35-200/5A-2.5 (5P10 & 10P10)	2.5	200/5A	35	98	40	100	TBA
PR-35-200/5A-5 (5P10 & 10P10)	5	200/5A	35	98	60	100	TBA
PR-35-250/5A-2.5 (5P10 & 10P10)	2.5	250/5A	35	98	35	100	TBA
PR-35-250/5A-5 (5P10 & 10P10)	5	250/5A	35	98	55	100	TBA
PR-55-300/5A-5 (5P10 & 10P10)	5	300/5A	55	98	75	100	TBA
PR-55-300/5A-15 (5P10 & 10P10)	15	300/5A	55	125	90	100	TBA
PR-55-400/5A-5 (5P10 & 10P10)	5	400/5A	55	98	60	100	TBA
PR-55-400/5A-15 (5P10 & 10P10)	15	400/5A	55	125	65	100	TBA
PR-55-500/5A-5 (5P10 & 10P10)	5	500/5A	55	98	55	100	TBA
PR-55-500/5A-15 (5P10 & 10P10)	15	500/5A	55	125	60	100	TBA
PR-55-600/5A-5 (5P10 & 10P10)	5	600/5A	55	98	50	100	TBA
PR-55-600/5A-15 (5P10 & 10P10)	15	600/5A	55	125	55	100	TBA
PR-65-800/5A-5 (5P10 & 10P10)	5	800/5A	65	110	40	100	TBA
PR-65-800/5A-15 (5P10 & 10P10)	15	800/5A	65	110	80	100	TBA
PR-80-1000/5A-15 (5P10 & 10P10)	15	1000/5A	80	125	70	100	TBA
PR-80-1200/5A-15 (5P10 & 10P10)	15	1200/5A	80	125	65	100	TBA
PR-90-1500/5A-15 (5P10 & 10P10)	15	1500/5A	90	140	55	100	TBA
PR-90-1600/5A-15 (5P10 & 10P10)	15	1600/5A	90	140	55	100	TBA
PR-100-2000/5A-15(5P10&10P10)	15	2000/5A	100	155	55	100	TBA
PR-110-2500/5A-15(5P10 &10P10)	15	2500/5A	110	165	45	100	TBA
PR-120-3000/5A-15(5P10 &10P10)	15	3000/5A	120	180	45	100	TBA



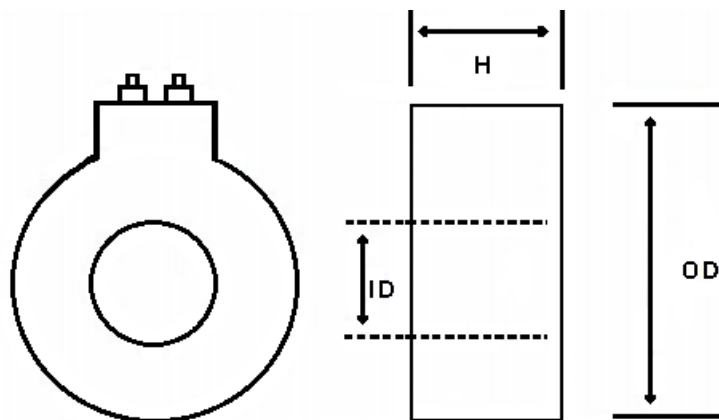
EMR & EPR Series Measuring & Protection CT Range Resin Cast Type

Designed to be used in harsh environmental conditions. These resin cast CT's are constructed from high grade silicon alloy cores insulated and protected by a polypropylene covering on which the secondary winding is toroid alloy. Multi layers of polyester and PVC are then applied to provide a tough moisture resist coating.

General Specifications

Accuracy:	Up to class 0.5%
System Voltage:	720V maximum
Test Voltage:	2.5KV for 1 minute
System Frequency:	50/60Hz
Overload Withstand:	1.2 x rated primary current
Short circuit thermal current(Ith)	60 x rated primary current for 1 second
Dynamic current (Idyn):	2.55 x Ith
Complies with:	IEC60044-1/BS EN60044-1 BS 7626/93 - IEC 44-1 BS 7276
Operating temperature:	- 40 to +70°C
Saturation coefficient:	<6
Secondary current:	5A (1A contact PMK sales for availability)
Insulation class:	BSEN60085 Class Y
Humidity:	Up to 95% (non-condensing)
Mounting hardware:	Foot mounted

Dimensions:



Features:

- A wide range of ratings available.
- Accuracy up to Class 0.5
- Protection types also available.
- Long product life.

Epoxy Measuring Current Transformer

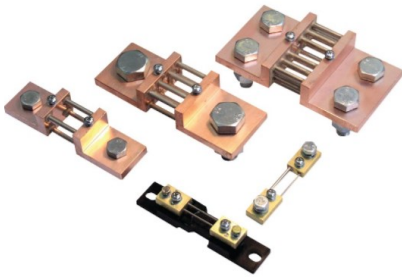
Part Number	VA Burden / Class		Ratio Range	ID	OD	H	Price (Baht)
	CL1	CL 0.5					
EMR-20-60/5A	2.5	-	60/5A	20	80	40	TBA
EMR-34-100/5A	2.5	-	100/5A	34	80	40	TBA
EMR-34-150/5A	2.5	-	150/5A	34	80	40	TBA
EMR-42-200/5A	5	-	200/5A	42	90	30	TBA
EMR-42-250/5A	5	-	250/5A	42	90	30	TBA
EMR-42-300/5A	7.5	-	300/5A	42	90	30	TBA
EMR-65-400/5A	7.5	-	400/5A	65	110	30	TBA
EMR-65-500/5A	10	-	500/5A	65	110	30	TBA
EMR-65-600/5A	15	-	600/5A	65	110	30	TBA
EMR-75-800/5A	15	-	800/5A	75	120	30	TBA
EMR-85-1000/5A	15	-	1000/5A	85	150	30	TBA
EMR-85-1200/5A	15	-	1200/5A	85	150	40	TBA
EMR-110-1500/5A	-	20	1500/5A	110	150	40	TBA
EMR-110-1600/5A	-	20	1600/5A	110	175	40	TBA
EMR-110-2000/5A	-	20	2000/5A	110	175	40	TBA
EMR-130-2500/5A	-	30	2500/5A	130	190	40	TBA
EMR-130-3000/5A	-	30	3000/5A	130	190	40	TBA
EMR-200-4000/5A	-	40	4000/5A	200	312	40	TBA

Epoxy Protection Current Transformer

Part Number	Class	VA Burden	Ratio Range	ID	OD	H	Price (Baht)
EPR-150-100/5A	5P10	5VA	100/5A	34	150	95	TBA
EPR-150-150/5A	5P10	5VA	150/5A	34	130	75	TBA
EPR-135-200/5A	5P10	5VA	200/5A	45	135	50	TBA
EPR-135-250/5A	5P10	5VA	250/5A	45	135	50	TBA
EPR-135-300/5A	5P10	7.5VA	300/5A	45	135	50	TBA
EPR-140-400/5A	5P10	7.5VA	400/5A	65	140	50	TBA
EPR-140-500/5A	5P10	10VA	500/5A	65	140	50	TBA
EPR-140-600/5A	5P10	15VA	600/5A	65	140	50	TBA
EPR-145-800/5A	5P10	15VA	800/5A	75	145	50	TBA
EPR-160-1000/5A	5P10	15VA	1000/5A	85	160	70	TBA
EPR-160-1200/5A	5P10	15VA	1200/5A	85	160	70	TBA
EPR-180-1600/5A	5P10	15VA	1600/5A	110	180	50	TBA
EPR-180-2000/5A	5P10	15VA	2000/5A	110	180	50	TBA
EPR-180-2250/5A	5P10	15VA	2250/5A	110	180	50	TBA
EPR-200-2500/5A	5P10	15VA	2500/5A	130	200	50	TBA
EPR-200-3000/5A	5P10	15VA	3000/5A	130	200	50	TBA

Protection Class 5P20 available on request contact PMK Sales team.

DC Shunts



Installation

For maximum heat dissipation mount shunts in the horizontal plane. Ample ventilation should be provided. Busbars should be adequately rated., clean and level, with a thin coat of silicone grease applied to the contact surface area. Shunts are supplied to contact surface area. Shunts are supplied with bolts, nuts and washer, these must be tightened fully.

ST shunts comply to Din43 703 for dimensions and IEC51(BS89) EN60051 for performance.

Features and Benefits

DC Shunts

A range of direct current shunts which provides an accurate millivolt signal, exactly proportional to the system current They can be used to drive ammeter indicators, overload protection and control devices. These shunts enable the measurement of D.C. current in ranges from 10A to 1000A with various options.

General Specifications

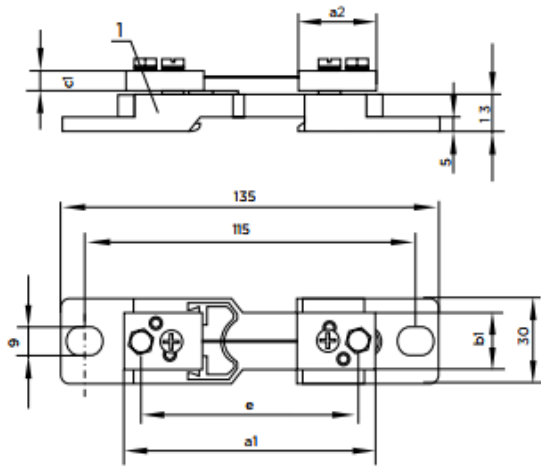
Accuracy:	0.5% of Range.
Test Voltage:	3kV for 1 minute
Temperature Coefficient:	0.1%/10°K
Overload Withstand:	1.2 x rated current
5 second withstand:	10A-250A = 10 x rated current 250A-2000A = 5 x rated current.2000A-10000A = 2 x rated current
Operating temperature:	-25° C to +55 °C
Rating:	10A to 10000A
Outputs:	50mV* , 60mV, 75mV* , 100mV* , 150mV*

Product codes & Prices

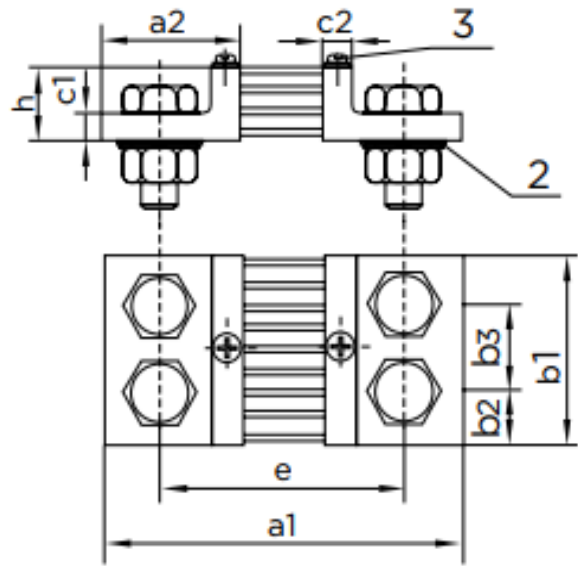
Part Number	Description	Diag	Price (Baht)
ST1-10/60MV	I/p 10A - o/p 60mV	A	4,200
ST1-20/60MV	I/p 20A - o/p 60mV	A	4,200
ST1-25/60MV	I/p 25A - o/p 60mV	A	4,200
ST1-30/60MV	I/p 30A - o/p 60mV	A	4,200
ST1-40/60MV	I/p 40A - o/p 60mV	A	5,000
ST1-50/60MV	I/p 50A - o/p 60mV	A	5,000
ST1-60/60MV	I/p 60A - o/p 60mV	A	5,000
ST1-80/60MV	I/p 80A - o/p 60mV	A	5,000
ST1-100/60MV	I/p 100A - o/p 60mV	A	5,000
ST1-125/60MV	I/p 125A - o/p 60mV	A	5,400
ST1-150/60MV	I/p 150A - o/p 60mV	A	5,400
ST2-200/60MV	I/p 200A - o/p 60mV	B	5,600
ST2-250/60MV	I/p 250A - o/p 60mV	B	5,600
ST2-400/60MV	I/p 400A - o/p 60mV	B	5,800
ST2-600/60MV	I/p 600A - o/p 60mV	B	5,800
ST2-1000/60MV	I/p 1000A - o/p 60mV	B	9,300
ST2-1500/60MV	I/p 1500A - o/p 60mV	B	14,000
ST2-2000/60MV	I/p 2000A - o/p 60mV	B	17,500
ST2-2500/60MV	I/p 2500A - o/p 60mV	B	18,000
ST3-4000/60MV	I/p 4000A - o/p 60mV	C	57,000
ST3-5000/60MV	I/p 5000A - o/p 60mV	C	77,500
ST3-6000/60MV	I/p 6000A - o/p 60mV	C	79,000
ST3-8000/60MV	I/p 8000A - o/p 60mV	C	149,000
ST3-10000/60MV	I/p 10000A - o/p 60mV	C	150,000

For 50,75,100 & 150mV outputs please contact PMK Sales.

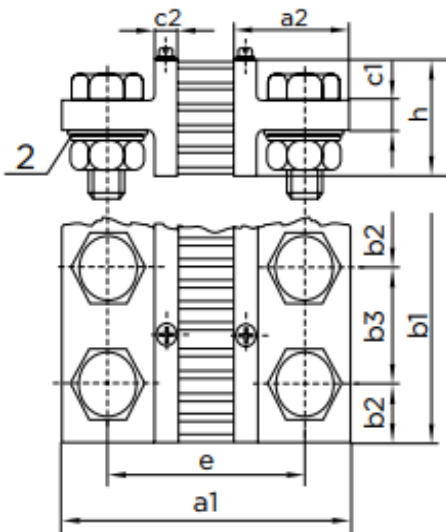
ST1 10A to 200A (A)



ST2 200A to 2500A (B)



ST3 4000A - 10000A (C)



- 1 - Insulation base.
- 2 - Spring washer
- 3 - Screw with cruciform cavity.

Range	a1	a2	b2	b1	b3	c1	e	c2	h
10A - 30A (ST1)	90	28	-	20	-	8	78	-	-
40A - 200A (ST1)	100	33	-	20	-	8	80	-	-
200A - 250A (ST2)	145	55	15	30	-	10	105	10	30
400A - 600A (ST2)	145	55	20	40	-	10	105	10	30
1000A (ST2)	165	65	30	60	-	10	115	10	30
1500A (ST2)	165	65	21	90	48	10	115	10	30
2000A - 2500A (ST2)	165	65	30	120	60	10	115	10	30
4000A (ST3)	165	65	30	120	60	15	115	10	60
5000A - 6000A (ST3)	175	70	25	154	52	25	125	15	130
8000A - 10000A (ST3)	185	75	25	206	52	30	135	20	170

Warning - Shunts are uninsulated and protection against accidental contact may be necessary in order to comply with health and safety regulations.